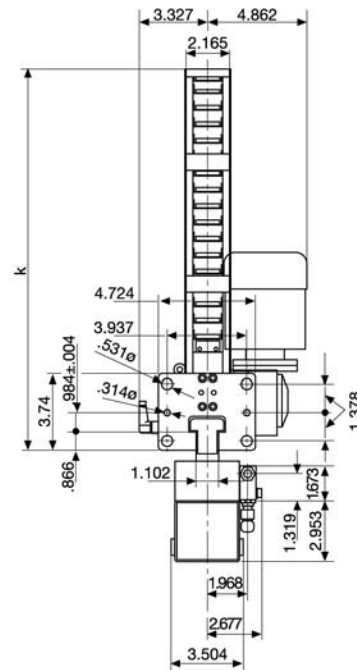
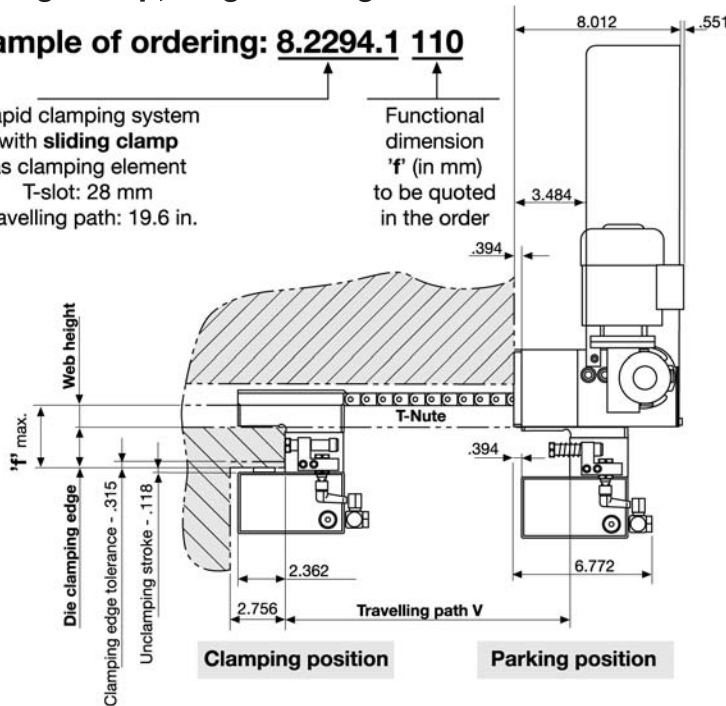


Design: Sliding clamp, single-acting

Example of ordering: **8.2294.1 110**

Rapid clamping system with **sliding clamp** as clamping element
T-slot: 28 mm
Travelling path: 19.6 in.

Functional dimension 'f' (in mm) to be quoted in the order



Part no.	T-slot to DIN 650 (mm)	Clamping force at 400 bar (lbs)	Operating pressure (psi)	Oil consumption clamping/unclamping (in ³)	Travelling path V (in)	Dimension k (in)	Clamping dimension 'f' tolerance (in)
HCR-8.2294.1xxx	28	17,550	5,800	.09	19.6	18.5	+0/-0.31
HCR-8.2294.2xxx	28	17,550	5,800	.09	39.4	28.0	+0/-0.31

Technical data:

Travelling path V	see table *)
Travelling speed	5.9 in/s
Width of T-slot	see table DIN 650 *)
Motor voltage	24 VDC
Rated motor current	3.3 A
Motor output	80 W
Two proximity switches	24 (10-30) V DC *)
Parking position	
Die position	
A further proximity switch for "End of chain" is available on request	
Motor connection	Harting HAN3HvE *) (plug with 19.6 in. cable length)
Connections for proximity switches	Harting HAN10E *) (plug with 19.6 in. cable length)
Hydraulic connection	Union nut M 14 x 1,5 *) (free hose length 19.6 in.)

*) other versions as well as a spindle drive are available on request.

