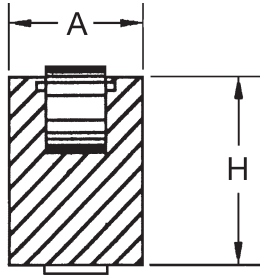
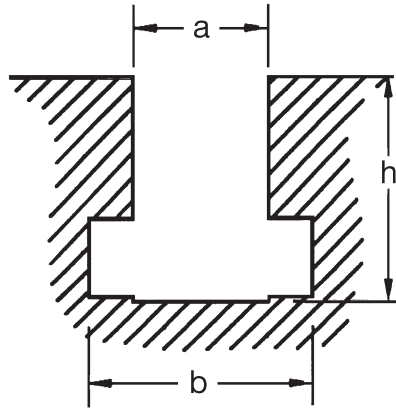


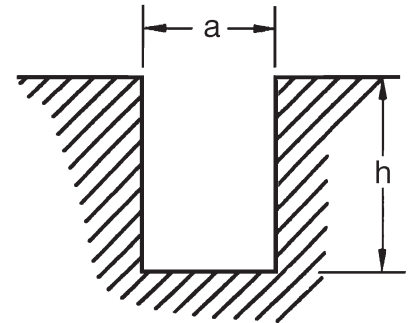
# Slot/Rollblock Dimensions



RH Rollblock



T-Slot



Rectangular Slot

ASA T-slots (ASA B5.1 1949)

Metric T-slots (DIN 650)

T-slot size	13/16	1 1/16	1 5/16	1 9/16	22mm	28mm	36mm
a*	.81	1.06	1.31	1.56	.87	1.11	1.42
b	1.37	1.75	2.13	2.56	1.46	1.81	2.20
h**	1.16	1.53	2.03	2.53	1.50	1.89	2.40
Rectangular slot size	13	17	21	25	22	28	36
a*	.81	1.06	1.31	1.56	.87	1.11	1.42
h**	1.16	1.53	2.03	2.53	1.50	1.89	2.40
Rollblock size	13	17	21	25	22	28	36
Dia. of roller	.39	.63	.63	.75	.63	.63	.75
A	.795	1.04	1.28	1.54	.85	1.09	1.41
H	1.14	1.51	2.01	2.51	1.48	1.87	2.38

**Slot tolerance**

a*	+ .020
	- .000
h**	+ .012
	- .000