

Linear Actuators RA 600
 Max. lifting force 1,000 and 6,000 N,
 stroke from 100 to 600 mm,
 version with limit switches or stroke measuring system

L1.101
 Issue 10-13 E



Application

Linear actuators RA 600 are used for electrically-operated adjustments and as actuating elements in applications with control-oriented demands in short-time service. The actuators are suited for manifold industrial applications, indoors and outdoors.

Principal use

- Machine tool building
- Food machines
- Building services engineering
- Conveyor and dosing technology
- Chemical industry
- Solar technology
- Renewable energy generation

Fixing and installation

The linear actuators RA 600 have two fork eyes with Ø 12 mm for the connection of user's constructions. It has to be considered that the linear actuator has to be mounted protected against torsion. The pushing rod must be installed without any side loads. The connecting construction has to be designed so that no forced conditions act on the pushing rod. The electrical connection is made by coded plug-type connectors.

Advantages

- High operating safety by self-locking spindle drive
- High static retention force
- Sturdy design by high-quality drive components
- Resistant against corrosion and disinfectants
- Press and splash water protection as per code class IP69K (optional)
- Reliable even with rough environmental conditions
- Compact design
- Mounting position: any
- Maintenance free
- Industrial design

Description

Linear actuators RA 600 consist of a 24 V DC direct current drive, whose drive energy is transferred over a worm gear and a spindle lifting gear to the pushing rod.

The self-locking spindle lifting gear stops the actuator in case of power failure and maintains it safely in the reached position.

Features of the sturdy design are the generous dimensioning of the actuator and the solid design of the housing.

Alternative to code class IP66 also a press and splash water protection as per code class IP69K is available as an option.

Linear actuators RA 600 are protected against corrosion and function without any troubles also in rough operating and environmental conditions. Since they are maintenance-free, this is guaranteed permanently.

The version with limit switches is equipped with 2 sensors, that prevent an unintentional movement to the mechanical stroke ends and thus the overload of the mechanics.

The version with stroke measuring system allows the realisation of control-oriented applications and the operation of several linear actuators in synchronism.

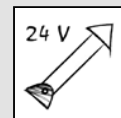
The stroke ends are freely definable by means of the digital signal.

Operation

Linear actuators RA 600 can optionally be operated by hand panel or foot switch and supply units of the accessory programme as per data sheet M 8.200 with touch control or by an external control with 24 V output.

The version with stroke measuring system delivers the user incremental signals of the stroke measuring system.

**Linear actuators
 RA 600 - 24 V DC**



Part-no. I6-XX-XX-2-X-XS1A

Technical characteristics

Max. push force: 1.000 - 6.000 N
 Max. pull force 80% of the push force
 Stroke: 100 up to 600 mm
 Max. duty cycle: 15%
 Code class: IP66 or IP69K

Operational modes

- Touch control with supply unit and hand panel or foot switch (as per data sheet M 8.200)
- Control by external 24 V DC control

Electrical interface

Plug-type connector 24 V DC

Mechanical interface

2 fork eyes Ø 12 mm
 (Ø 10 mm with accessory bearing sleeve)

Accessories

- Bearing sleeve Ø 12 / Ø 10 mm
- Foot switch and hand panel as per data sheet M 8.200
- electrical supply units for 1, 2, 3 or 4 linear actuators as per data sheet M 8.200
- Plug

Material

Cylinder body: polyamide, black, glass fibre reinforced
 Guiding tube: aluminium, naturally anodised
 Pushing rod: stainless steel

Important notes!

The linear actuators RA 600 are resistant against corrosion, detergents and disinfectants. The admissible environmental temperature is -20° up to +70°C

Available variants

Linear actuators RA 600 are optionally available in the variants:

- 12 V supply voltage
- Absolute stroke measuring system (up to 200 mm stroke)
- Reinforced for high vibration load
- Especially protected against corrosion
- LIN-BUS control



ROEMHELD
 HILMA ■ STARK

CARR LANE ROEMHELD MFG. CO.

Sales — Phone (636) 386-8022 Fax (636) 386-8034

Subject to change.

Engineering — Phone 1-800-827-2526 Web www.carrlaneroemheld.com

Version with limit switches

Description

The version with limit switches has 2 integrated Hall-effect sensors, which automatically switch off the motor brake as soon as the upper or lower stroke end position is obtained.

This guarantees that the linear actuator does not mechanically push against the stop. At the plug-type connector of this version the pins 3 and 4 have to be connected to 24 VDC. By changing the polarity, switching over from retracting to extending is effected.

Current consumption

As a function of the load the current consumption amounts linearly up to 6 A at nominal load. For a safe power supply, a supply current of at least 8 A is required.

Static retention force

The static retention force can exceed the maximum lifting force by up to 25%.

Technical characteristics

Force [N]	Velocity		Current consumpt. [Ampere]	Duty cycle [max 1.5 min.]
	Idle running [mm/s]	loaded [mm/s]		
1000	37	29	6	max. 15 %
2000	21	18	5	max. 15 %
4000	11	7	5.5	max. 15 %
6000	8.5	5	7	max. 15 %

Stroke [mm]	L [mm]	L + stroke [mm]	Weight [kg]
100	310	410	3.2
150	360	510	3.6
200	410	610	4.0
300	510	810	4.5
400	650	1050	5.0
500	750	1250	5.7
600	850	1450	6.4

Note: Linear actuators RA 600 with a stroke of 400 mm or more are equipped with an enlarged guiding length.

Code for part numbers

Bestell-Nr. **I6-XX-XX-2-X-ES1A**

Maximum lifting force

(Push force)
01 = 1,000 N
02 = 2,000 N
04 = 4,000 N
06 = 6,000 N

Stroke

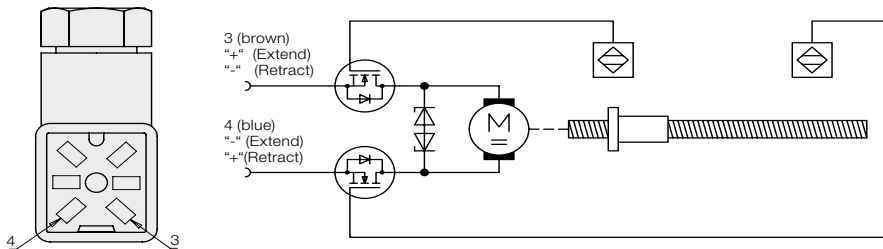
10 = 100 mm
15 = 150 mm
20 = 200 mm
30 = 300 mm
40 = 400 mm
50 = 500 mm
60 = 600 mm

Code class

B = IP66
C = IP69K

Variant 12 V available on request.

Circuit diagram and connection of plug-type connector for RA 600 with stroke end disconnection



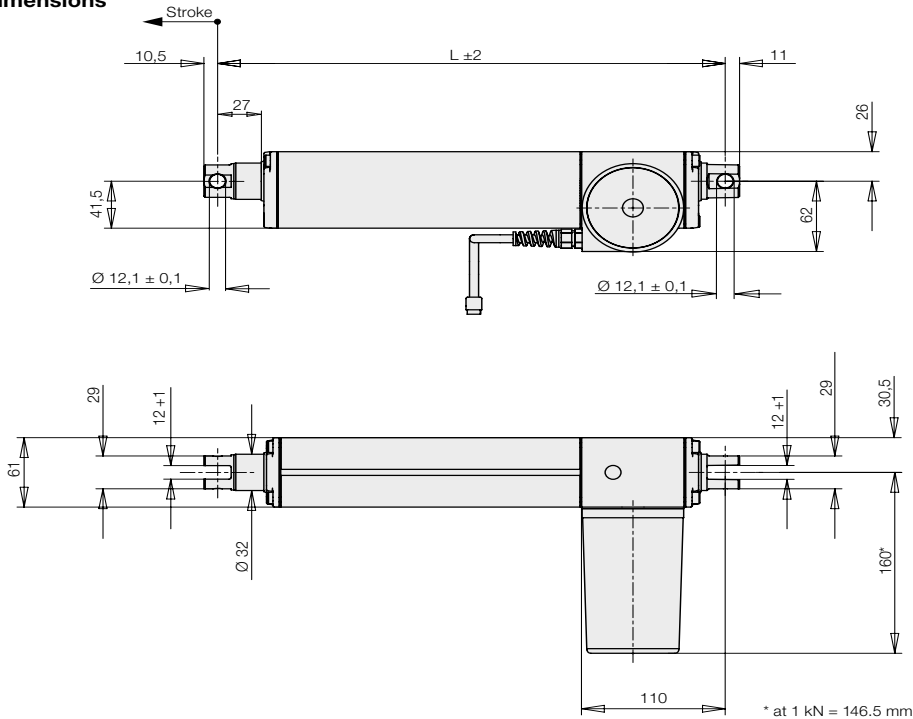
Important notes!

Only RA 600 with incremental stroke measuring system can be operated in synchronism! If the supply unit (see next page) is not used, the user has to provide a current limitation of 10 A.

Accessories

See next page.

Dimensions



Version with stroke measuring system

Description

The stroke of linear actuators is transmitted by potential-free square wave signals, which are generated by the rotating spindle, to an external control.

An additional reference point, that initialises the stroke measuring system, is in the retracted stroke end position. This reference point can also be used to switch off the retracted stroke end position.

With the incremental stroke measuring system control-oriented applications and the compound of several linear actuators in synchronism can be realised.

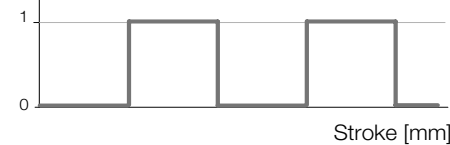
Due to the incremental acquisition of the position, faults of linearity are excluded.

Supply units as per page M 8.200 treat the actuators and the user's connecting construction with care due to a special control and thus contribute to the increase of the service life.

Technical characteristics

See page 2.

Resolution of the stroke measuring system



1 kN: 0.75 mm stroke	= 1 edge to edge distance
2 kN: 0.75 mm stroke	= 1 edge to edge distance
4 kN: 0.5 mm stroke	= 1 edge to edge distance
6 kN: 0.375 mm stroke	= 1 edge to edge distance

Code for part numbers

Part-no. **I6-XX-XX-2-X-IS1A**

Maximum lifting force (Push force)

01	= 1,000 N
02	= 2,000 N
04	= 4,000 N
06	= 6,000 N

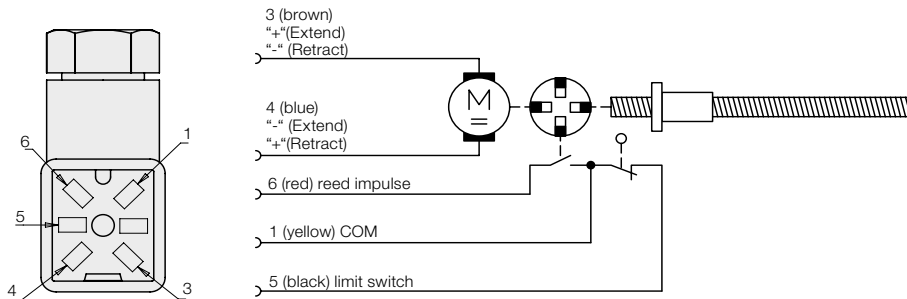
Stroke

10	= 100 mm
15	= 150 mm
20	= 200 mm
30	= 300 mm
40	= 400 mm
50	= 500 mm
60	= 600 mm

Code class

B	= IP66
C	= IP69K

Circuit diagram and connection of plug-type connector for RA 600 with stroke measuring system



Dimensions

See page 2.

Important notes!

The stroke end positions must not be loaded mechanically. An approach in creep speed or switching off 3 mm before reaching the stroke end positions is required. For supply units with synchronization control this is met by the programmed soft stop function.

The positioning accuracy with touch control amounts to ± 2 mm, depending on the operator and the load.

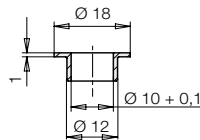
Place task with higher demands on the positioning accuracy can be realised with special controls.

Therewith place accuracies can be realised within the size range of the resolution of the stroke measuring system.

In addition, there is the possibility to store temporarily up to 3 positions for reproducible approach.

Accessories

- **Bearing sleeve for fork eye**
DU bushing $\varnothing 12 / \varnothing 10$
Part-no. 3301-936



Electrical accessories

See data sheet M 8.200

• Foot switch

for touch control up-down with connecting cable 3.0 m
Part-no. 3823-038



• Hand panel

for touch control up-down with connecting cable 1.6 m
Part-no. 3823-025



• Supply unit

with control for one linear actuator
Part-no. 3821-246



• Mains cable 230 VAC

with earthing type plug for supply units
Mains cable smooth, 3.0 m
Part-no. 3823-040

• Plug

for user's control with 5 soldered strands and blade receptacles
Part-no. 3823-048



ROEMHELD
HILMA ■ STARK

CARR LANE ROEMHELD MFG. CO.

Sales — Phone (636) 386-8022 Fax (636) 386-8034

Subject to change.

Engineering — Phone 1-800-827-2526 Web www.carrlaneroemheld.com